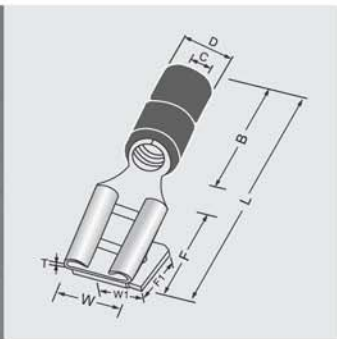


# QUICK DISCONNECTS

## Piggy Back Quick Disconnects



### • Material

- Insulation: Vinyl
- Terminal Body: Brass
- Metallic Sleeve: Copper
- Plating: Tin



## Piggy Back Quick Disconnects

WIRE RANGE mm <sup>2</sup> (A.W.G.)	TAB SIZE Thickness × Width	ITEM NO .	DIMENSION mm(inch)						COLOUR
			W	W1	L	B	C	T	
0.5-1.5 (22-16)	0.8×6.35 .032×.250	WT55	6.6(.260)	6.35(.250)	22.5(.886)	10.5(.413)	1.7(.067)	0.4(.016)	<b>RED</b>
1.5-2.5 (16-14)	0.8×6.35 .032×.250	WT56	6.6(.260)	6.35(.250)	22.5(.886)	10.5(.413)	2.3(.091)	0.4(.016)	<b>BLUE</b>
4-6 (12-10)	0.8×6.35 .032×.250	WT57	6.6(.260)	6.35(.250)	24.0(.945)	13.0(.512)	3.4(.134)	0.4(.016)	<b>YELLOW</b>